

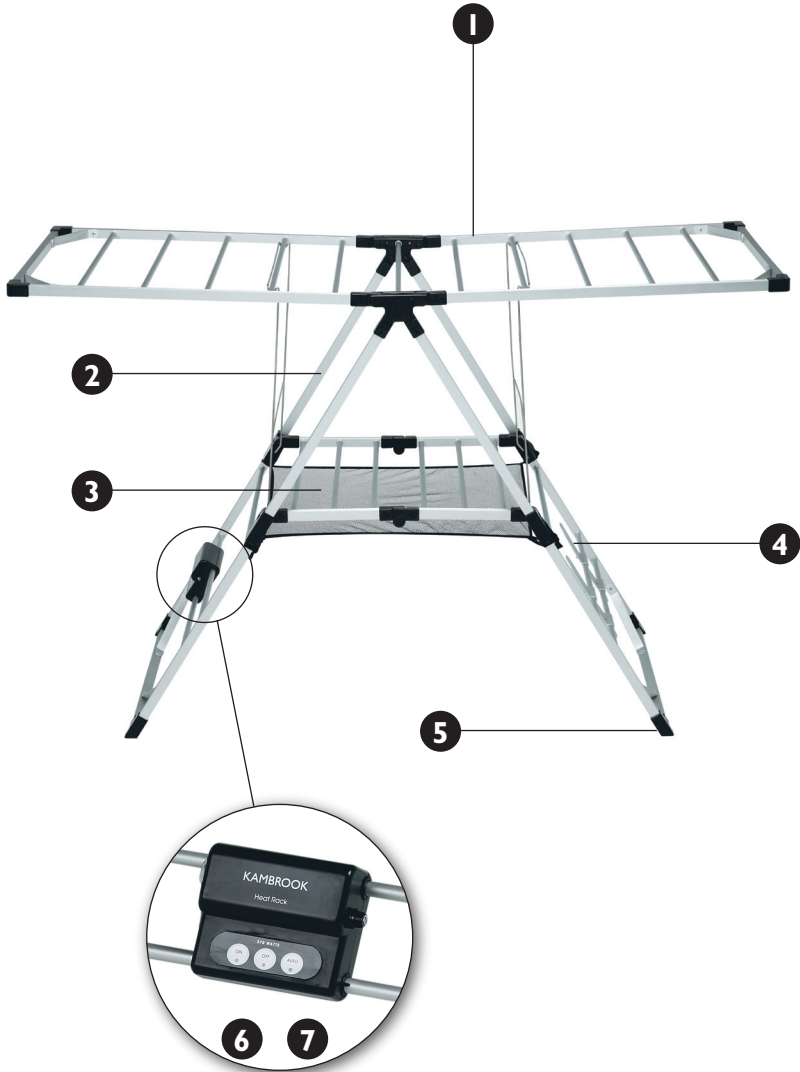
KAMBROOK

GET MORE THAN YOU PAY FOR™

Heated Clothes Horse



FEATURES OF YOUR KAMBROOK HEATED CLOTHES HORSE



1. Heated rails for clothes
2. Sturdy, lightweight anodised aluminium construction
3. Hammock for delicates or small items
4. Heated shoes hangers
5. Anti-Slip footings
6. Safety Switch: in case the Heated Clothes Horse tips over, the power supply to the heater will cut out. The 'On' button must be pressed for power to resume
7. Control unit with timer and fuse

KAMBROOK SAFETY

Welcome to Kambrook and your new Heated Clothes Horse.

At Kambrook we believe that the safe performance of our products is the first priority in any consumer product so that you, our valued customer, can confidently use and trust our products.

We ask that any electrical appliance you use be operated in a sensible fashion with due care and attention placed on the following important operating instructions:

IMPORTANT INSTRUCTIONS - RETAIN FOR FUTURE USE

When using electrical appliances, basic precautions should always be followed to reduce the risk of fire, electric shock and injury to persons, including the following:

- Read and keep these instructions for future reference before using this Heated Clothes Horse.
- Keep combustible materials such as drapes and other furnishings at least 1.7 metres from the front, sides and rear of the Heated Clothes Horse.
- Extreme caution and supervision is necessary when the Heated Clothes Horse is used by or near children, invalids or animals.
- This appliance is not intended for use by persons (including children) with reduced physical, sensory or mental capabilities, or lack of experience and knowledge, unless they have been given supervision or instruction concerning use of the appliance by a person responsible for their safety.
- Children should be supervised to ensure that they don't play with the appliance.
- Do not operate the Heated Clothes Horse with a damaged cord or plug or if the Heated Clothes Horse has been dropped or damaged in any manner. Return the Heated Clothes Horse to your nearest service centre for examination.
- Do not use outdoors.
- Do not immerse or allow liquids to be spilt on the Heated Clothes Horse.
- Do not use in areas where petrol, paints, aerosols or other inflammable substances are used or stored.
- Do not operate the Heated Clothes Horse with the cord hanked or wound around any part of the Heated Clothes Horse, or in contact with heated surfaces of the Heated Clothes Horse.

- Do not run the cord under carpeting or cover the cord with rugs, runners or the like. Arrange cord away from traffic areas where it will not be tripped over.
- To disconnect the Heated Clothes Horse switch off at the power outlet then remove plug from its outlet.
- Ensure to disconnect the Heated Clothes Horse and allow to completely cool down before cleaning or storing.
- Use this Heated Clothes Horse only described in this instruction manual. Any other use not recommended by the manufacture may cause fire, electric shock or injury and voids all warranties.
- Ensure that the power source used is the same as the voltage requirements of the appliance.
- Always use the Heated Clothes Horse on a dry level surface.
- Switch off at the power outlet and then unplug the appliance when not in use and before cleaning.
- Do not touch hot surfaces.
- This appliance is suitable for domestic use only. Do not use this appliance for anything other than its intended use.
- Do not allow the cord to touch hot surfaces.
- Regularly inspect the power cord, plug and appliance for any damage. If damage is found in any way, immediately cease use and return the entire appliance to your nearest authorised Kambrook service centre for examination, replacement or repair.
- The installation of a residual current device (safety switch) is recommended to provide additional safety protection when using electrical appliances. It is advisable that a safety switch with a rated residual operating current not exceeding 30mA be installed in the electrical circuit supplying the appliance. See your electrician for professional advice.
- Always check drying instructions on items to ensure they are suitable for use with the Heated Clothes Horse. If unsure, check items periodically during first use.
- Ensure that wet items placed on the Heated Clothes Horse will not drip onto the control box or any nearby electrical appliances or plugs.

⚠ WARNING: Do not fully cover the Heated Clothes Horse from top to bottom.

- Please regularly check all garments as some materials may dry quicker than others.

Please ensure that the product is switched off if you are absent for an extended period of time.

⚠ WARNING: This appliance is intended only for drying textiles washed in water.

USING YOUR KAMBROOK HEATER CLOTHES HORSE

Before first use

Remove any promotional material from the Heated Clothes Horse. Ensure all packaging is removed from the unit and refer to the below instructions on setting up the Heated Clothes Horse.

Once unpacked, hold the unit vertically as shown in Figure A & Figure B.



Fig. A



Fig. B

Pull the legs apart and lock the lower shelf in place by pressing down firmly on the central hinge (See Figure C).

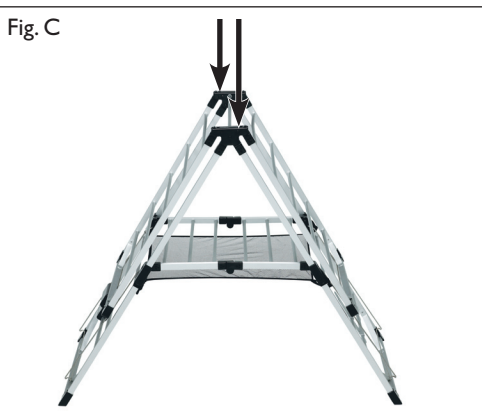


Fig. C

Swing the left side frame upwards and fold out the support frame as shown in Figure D to lock upper horse into position.

Repeat this step for the right side frame.

Once unit is fully locked into operating position ensure that the cord is fully unwound before plugging in.

Insert power cord into the mains supply. Once the power is turned on a red LED light will appear



Fig. D

indicating that the unit is in a stand by/off mode.

Press the 'On' switch and a green LED light will appear and the unit will heat continuously.

Maximum load capacity for each heating bar is 2 kilograms.

Maximum load capacity for one side of the Heated Clothes Horse should not exceed 10 kilograms.

⚠ WARNING: Do not place hand washed/ water dripping items on the Heated Clothes Horse.

In the event of the fuse blowing out repeatedly, do not attempt repairs by opening the control box.

When placing damp items on the Heated Clothes Horse ensure that excess water has been removed.

Avoid excessively wet items and heavy items.

Ensure that Heated Clothes Horse is balanced evenly to ensure stability.

Never allow water to drip on control box, appliance plug or other electrical appliance. If an extension cord is used, never allow the connection to be placed where it could become wet/damp.

Timed Operations

Press 'On' button first, then press 'Auto' button once. The yellow light below 'Auto' will switch on.

The clothes rails and shoe hangers will heat for two (2) hours and automatically switch off.

Storing

Ensure that the Heated Clothes Horse is completely dry before storing away.

General

There are no user serviceable parts inside the appliance, so for your own safety and convenience always obtain service through an Authorised Service Centre.

This product has been compared to a conventional clothes horse.

NOTES

NOTES

NOTES



KAMBROOK 12 MONTH REPLACEMENT WARRANTY

Kambrook warrants the purchaser against defects in workmanship and material for a period of 12 months from the date of purchase (3 months commercial use).

Guarantee and purchase receipt for this product are to be retained as proof of purchase and must be presented if making a claim under the Kambrook guarantee.

Kambrook reserves the right to replace or repair the appliance within the warranty period.

Warranty does not apply to any defect, deterioration, loss, injury or damage occasioned by, or as a result of the misuse or abuse, negligent handling or if the product has not been used in accordance with the instructions. The guarantee excludes breakages.

This warranty is void if there is evidence of the product being tampered with by unauthorised persons.

If the product includes one or a number of accessories only the defective accessory or product will be replaced. In the event of Kambrook choosing to replace the appliance, the guarantee will expire at the original date, i.e. 12 months from the original date of purchase.

In Australia, this KAMBROOK Guarantee is additional to the conditions and guarantees which are mandatory as implied by the Trade Practises Act 1974 and State and Territory legislation.

For service, spare parts or product information in Australia, please call KAMBROOK on the Customer Service Line; 1300 139 798.

For service, spare parts or product information in New Zealand, please call KAMBROOK New Zealand; 0800 273 845.

If claiming this guarantee the product must be returned freight prepaid.

KAMBROOK 12 MONTH REPLACEMENT WARRANTY

YOUR PURCHASE RECORD (Please complete)

Attach a copy of the purchase receipt here.

DATE OF PURCHASE

MODEL NUMBER

SERIAL NUMBER

PURCHASED FROM

(Please don't return purchase record until you are making a claim)

Register your warranty at www.kambrook.com.au/service.asp



Kambrook - Australia

Building 2, Port Air Industrial Estate 1A Hale Street, Botany NSW 2019, Australia
Customer Service Line 1300 139 798
Customer Service Fax 1800 621 337

Kambrook - New Zealand

Private Bag 94411, Greenmount, Auckland, New Zealand
Customer Service Line/Spare Parts 09 271 3980
Customer Service Fax 0800 288 513